

# VÁLVULAS DE BOLA SERIE 10/20 / BALL VALVES SERIE 10/20 / VÁLVULES DE BOLA SERIE 10/20

VÁLVULAS Y ACCESORIOS / VALVES & ACCESSORIES/ VÁLVULES I ACCESSORIS

## VÁLVULAS DE BOLA S20 ALTA PRESIÓN VÁLVULAS DE BOLA S10 BAJA PRESIÓN

Válvulas de bola de alta presión en diferentes conexiones BSP, NPT, SW, BW, Bridas SAE J1926 y DIN 2353. Diferentes materiales. PN hasta 500 bar y temperaturas hasta 230°C según juntas. Fire Safe BS6755, Antistatic device, Pruebas según API6D y API598.



## HIGH PRESSURE BALL VALVES S20 LOW PRESSURE BALL VALVES S10

High pressure ball valves up to 500 bar and 230°C according different seats. Different connections BSP. NPT, SW, BW Flanged SAE J1926 and DIN 2353. Fire Safe BS6755, Antistatic device. Tests as per API 6D and API 598.

## VÁLVULES DE BOLA D'ALTA PRESSIÓ S20 VÁLVULES DE BOLA BAIXA PRESSIÓ S10

Válvules de bola d'alta pressió fins a 500 bar i 230°C segons juntes. Diferents connexions BSP, NPT, SW, BW, Brides SAE J1926 i DIN 2353. Fire Safe B6755, Antistatic device. Proves segons API 6D i API 598.

### Standard Features:

Full Bore  
Round Body  
O-Rings: NBR FKM, EPDM, MVQ  
Fire Safe BS 6755 - ISO 10497  
Fire Safe ANSI/API 607 - API6FA  
Antistatic Device  
-60°C to +250°C depending on seal  
PN500 bar depending on seal  
Tests API 6D API 598  
3.1 Certificate

### On request:

Reduced Bore  
Special O-Rings  
Special Seats  
Metal to Metal up to 400°C  
Special Threads  
Special Materials  
Locking Device  
ISO 5211 Holes  
Actuators  
Limit switch

### Pressure - Temperature - DN - RATING FOR S20 SERIES

### Flow Coefficient

DN	POM -30°C +100°C	PEEK -50°C +250°C	Pa612 -45°C +145°C	PTFE -220°C +230°C	RPTFE -220°C +230°C	Flow Coefficient m <sup>3</sup> /h
6 - 1/4"		PN 500 Bar		PN 350 Bar		4.27
10 - 3/8"		PN 500 Bar		PN 350 Bar		6
13 - 1/2"		PN 500 Bar		PN 350 Bar		30.2
20 - 3/4"		PN 400 Bar		PN 175 Bar		53.7
25 - 1"		PN 350 Bar		PN 150 Bar		90.66
32-11/4"		PN 350 Bar		PN 100 Bar		176.5
40 -11/2"		PN 350 Bar		PN 100 Bar		245.2
50 - 2"		PN 350 Bar		PN 100 Bar		364.52
65-21/2"		PN 150 Bar		PN 100 Bar		645.4
80 - 3"		PN 100 Bar		PN 100 Bar		889.5
100 - 4"		PN 50 Bar		PN 50 Bar		NR

Esta tabla no aplica a Válvulas de Bola Serie 10 (S10). Consultar la sección correspondiente.

This table does not apply to Ball Valves 10 Series (S10). See S10 section

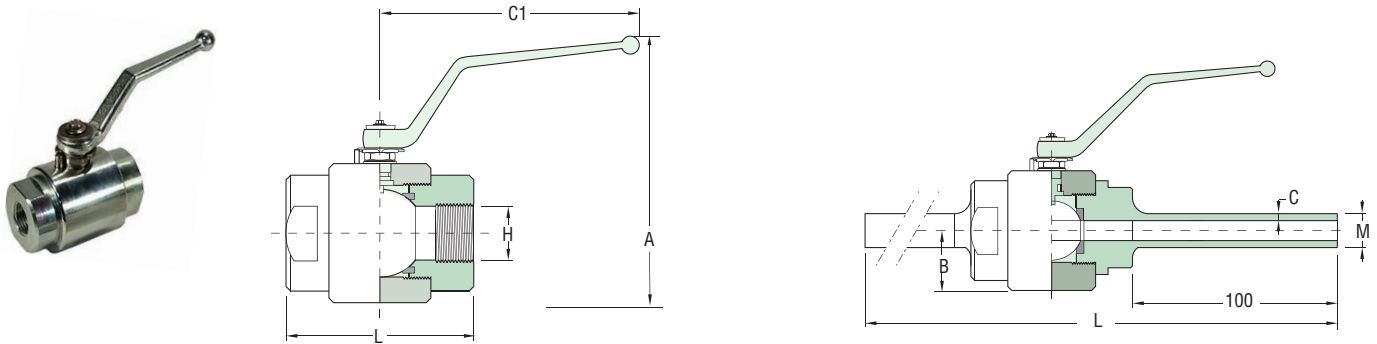
### How to order

S20		G 1/2				DN13			316L	316L	POM	Extras		
Type and way of valve	GAS DIN/ISO 228 BSP	NPT ANSI/ASME B1.20.1	SW	SW EXTRALONG	PE Nipple L=100mm	SAE J1926-1	DIN 2353 HEAVY SERIES	DIN 2353 LIGHT SERIES	Nominal dimension	Body and adapter material	Stem and ball material	Ball seat material	Adapter and stem seal material	Options
S20	G 1/4	N 1/4	SW 1/4	SWXT 1/4	PE 1/4	SAE4	8S	6L	DN6	316L 1,4404	316L 1,4404	POM	NBR	Fixing Holes
S20sq	G 3/8	N 3/8	SW 3/8	SWXT 3/8	PE 3/8	SAE6	10S	8L	DN10	A105 1,0570	316L 1,4404	PEEK	FKM	DA Pneumatic Actuator
S10	G 1/2	N 1/2	SW 1/2	SWXT 1/2	PE 1/2	SAE8	12S	10L	DN13	1,0737	1,0737	PA612	EPDM	SR Pneumatic Actuator
	G 3/4	N 3/4	SW 3/4	SWXT 3/4	PE 3/4	SAE12	14S	12L	DN20	Duplex Super Duplex	Duplex Super Duplex	RPTFE	MVQ	Electric Actuator
	G 1	N 1	SW 1	SWXT 1	PE 1	SAE16	16S	15L	DN25	904 L	904 L	PTFE		Limit Switch
	G 1 1/4	N 1 1/4	SW 1 1/4	SWXT 1 1/4	PE 1 1/4	SAE20R	20S	18L	DN32	Alloy 20 Brass	Alloy 20 Brass			Padlock
	G 1 1/2	N 1 1/2	SW 1 1/2	SWXT 1 1/2	PE 1 1/2	SAE24R	25S	22L	DN40					
	G 2	N 2	SW 2	SWXT 2	PE 2		30S	28L	DN50					
	G 2 1/2	N 2 1/2	SW 2 1/2				38S	35L	DN65					
	G 3	N 3	SW 3					42L	DN80					
	G 4	N 4	SW 4						DN100					

# VÁLVULAS SERIE 20 / VALVES SERIE 20 / VÁLVULES SERIE 20

VÁLVULAS Y ACCESORIOS / VALVES & ACCESSORIES / VÁLVULES I ACCESSORIS

## VÁLVULA DE BOLA 2 VIAS PASO TOTAL INOXIDABLE / SS316/L 2 WAY BALL VALVE / VÁLVULA DE 2 VIAS PASO TOTAL 316/316L

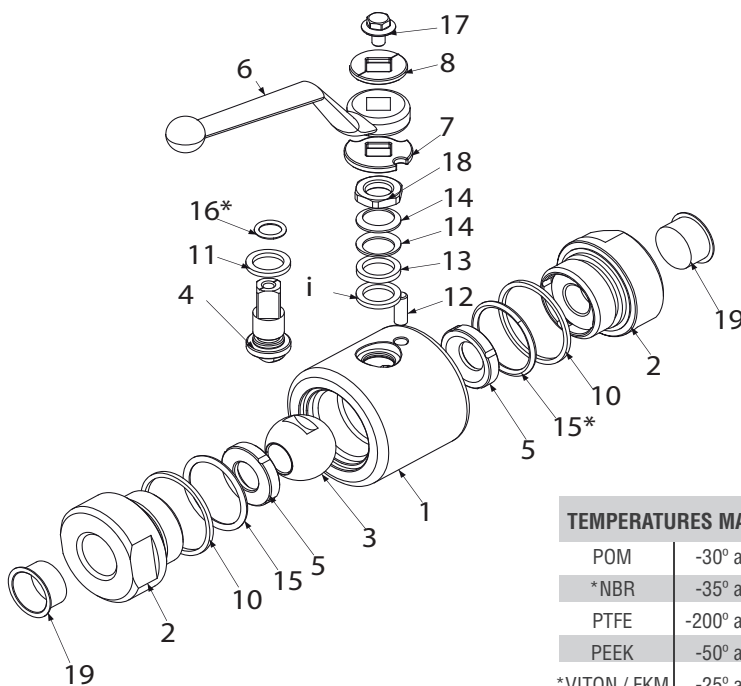


### S20 SS316/316L 1.4401/1.4404 NPT - SW - BSP

H	Full B (mm)	A	C1	L	DN	PN (bar)
1/4	6	109	110	72	8	500
3/8	10	109	110	72	10	500
1/2	13	115	110	81	15	500
3/4	20	122	180	98	20	400
1	25	133	180	106	25	350
1 1/4	32	120,5	300	127	32	350
1 1/2	40	134,5	300	135	40	350
2	50	140,5	300	160	50	350
2 1/2	65	226	600	174	65	150
3	80	241	600	191,5	80	100
4	100	278,5	600	230	100	50

### ROSCA PE (BW SCH80 L100mm)

Rosca	B	L	M	DN	SW
1/4	23,5	272	13,7	6	9
3/8	23,5	272	17,1	10	9
1/2	26,5	281	21,3	13	9
3/4	31,5	298	26,7	20	14
1	36,5	306	33,4	25	15
1 1/4	42	327	42,2	32	17
1 1/2	49,5	335	48,3	40	17
2	56	360	60,3	50	17
3	77,5	391,5	89,5	80	19



#### TEMPERATURES MATERIAL

POM	-30° a +100°
*NBR	-35° a +100°
PTFE	-200° a +230°
PEEK	-50° a +250°
*VITON / FKM	-25° a +200°
*EPDM	-50° a +150°
RPTFE	-220° a +230°
*FFKM	-30° a +400°
Metal-Metal	-200°C a +400°

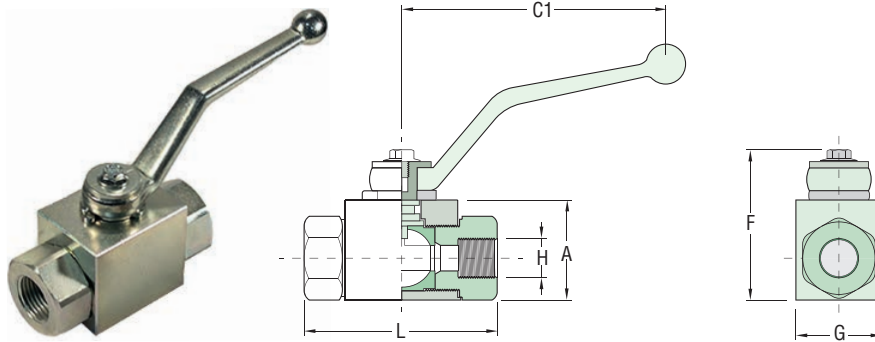
#### STANDARD MATERIAL

Description	Material
1- Cuerpo / Body	AISI 316/316L
2- Adaptador / Adapter	AISI 316/316L
3- Bola / Ball	AISI 316/316L
4- Vástago / Stem	AISI 316/316L
5- Asiento / Ball Seat	Poliacetal (POM)
6- Maneta / Handle	1.0116
7- Arandela / Washer	1.4301
8- Arandela / Washer	1.4301
9- Junta / Body Ring	Graphite
10- Junta / Adapter Ring	Graphite
11- Junta / Stem Ring	POM
12- Pin	1.4301
13- Anillo / Press Ring	1.4301
14- Muelle / Spring	1.4301
*15- Junta / Adapter Oring	NBR
*16- Junta/ Stem Oring	NBR
17- Tornillo / Screw	DIN6921 A2
18- Tuerca / Nut	1.4301
19- Tapón/ Cap	PVC

# VÁLVULAS SERIE 20 / VALVES SERIE 20 / VÁLVULES SERIE 20

VÁLVULAS Y ACCESORIOS / VALVES & ACCESSORIES / VÁLVULES I ACCESSORIS

## VÁLVULA DE 2 VIAS DE PASO TOTAL ACERO CARBONO / 2 WAY BALL VALVE FULL BORE CARBON STEEL VALVE



DIN ISO 228 BSP  
ANSI / ASME B1.20.1 NPT  
ANSI / ASME B16.11 Socket Weld SW

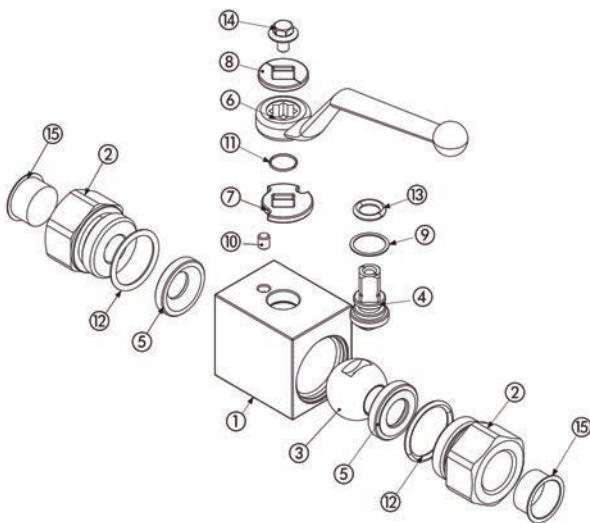
### S20 carbon steel Full Bore Ball Valve: NPT - BSP - SW

H	Orifice (mm)	A	C1	F	G	L	DN
1/8	4	35	110	49	30	71	4
1/4	6	35	110	49	30	71	6
3/8	10	40	110	54	35	73	10
1/2	13	43	110	57	37	83	13
3/4	20	57	180	73	49	95	20
1	25	65	180	83	55	112	25
R11/4"	25	65	180	83	55	120	25
R11/2"	25	65	180	83	55	124	25

DN	POM PEEK Pa612	PTFE RPTFE
6 - 1/4"	PN 500 Bar	PN 350 Bar
10 - 3/8"	PN 500 Bar	PN 350 Bar
13 - 1/2"	PN 500 Bar	PN 350 Bar
20 - 3/4"	PN 400 Bar	PN 175 Bar
25 - 1"	PN 350 Bar	PN 150 Bar
25 - R11/4"	PN 350 Bar	PN 100 Bar
25 - R11/2"	PN 350 Bar	PN 100 Bar
32-11/4"	PN 350 Bar	PN 100 Bar
40 -11/2"	PN 350 Bar	PN 100 Bar
40 - R 2"	PN 350 Bar	PN 100 Bar
50 - 2"	PN 350 Bar	PN 100 Bar

### S20B Carbon Steel Full Bore Sizes 1 1/4" to 2" BSP/NPT/SW

H	Orifice (mm)	A	C	F	G	N	DN
1 1/4	32	93	115	111.5	98	88	32
1 1/2	40	107	131	125.5	113	102	40
2 R	40	107	131	125.5	113	102	40
2	50	114	140	132.5	123	118	50



#### TEMPERATURES MATERIAL

POM	-30° a + 100°
*NBR	-35° a + 100°
PTFE	-200° a + 230°
PEEK	-50° a + 250°
*VITON / FKM	-25° a + 200°
*EPDM	-50° a + 150°
RPTFE	-220° a + 230°
*FFKM	-30° a + 400°

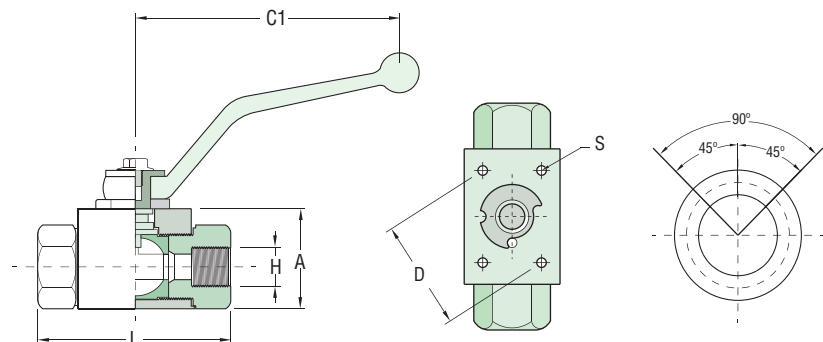
#### STANDARD MATERIAL

Description	Material
1- Cuerpo / Body	1.0570
2- Adaptador / Adapter	1.0570
3- Bola / Ball	1.0737
4- Vástago / Stem	1.0737
5- Asiento / Ball Seat	Poliacetal (POM)
6- Maneta / Handle	1.0116
7- Arandela / Washer	1.0116
8- Arandela / Washer	1.0737
9- Junta / Stem Ring	POM
10- Pin / Spine	1.0737
11- Anillo / Seeger	POM
12- Junta / Adapter Oring	NBR
*13- Junta/ Stem Oring	NBR
14- Tornillo / Screw	ISO4017 8.8
15- Tapón / Cap	PVC

# VÁLVULAS SERIE 20 / VALVES SERIE 20 / VÁLVULES SERIE 20

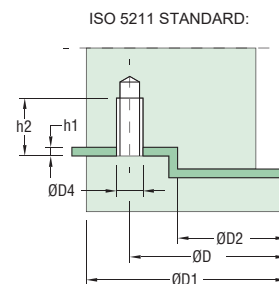
VÁLVULAS Y ACCESORIOS / VALVES & ACCESSORIES / VÁLVULES I ACCESSORIS

## AGUJEROS ISO 5211 PARA VÁLVULAS S20 ACTUADAS / DIN - ISO 5211 HOLES FOR S20 ACTUATED VALVES



### ISO 5211 READY FOR ACTUADOR VALVES

H	Orifice (mm)	A	C1	F	G	L	DN	S Metric	PN (bar)	ISO 5211	Eje SW
1/8	4	35	110	49	30	71	4	M4	500	F03*	9
1/4	6	35	110	49	30	71	6	M4	500	F03*	9
3/8	10	40	110	54	35	73	10	M5	500	F03	9
1/2	13	43	110	57	37	83	13	M5	500	F03	9
3/4	20	57	180	73	45	95	20	M6	400	F05	14
1	25	65	180	83	55	112	25	M6	350	F05	14
1 1/4	32	82,5	115	101	88	300	32	M6	350	F05	17
1 1/2	40	98,1	131	115	102	300	40	M6	350	F05/F07	17
2	50	103	140	120	109	300	50	M6	350	F05/F07	17



### MATERIAL

Description	Stainless Steel	Carbon steel
Cuerpo / Body	AISI 316L	9 SMn Pb 36
Bola / Ball	AISI 316L	9 SMn Pb 36
Eje / Stem	AISI 316L	9 SMn Pb 36
Conector/ Pipe fitting	AISI 316L	9 SMn Pb 36
Junta bola / Ball seal	Poliacetal (POM)	POM
Junta eje / Stem seal	Caucho nitrilo (NBR)	Caucho nitrilo (NBR)
Junta conect./ Pipe fit seal	Caucho nitrilo (NBR)	Caucho nitrilo (NBR)

### ISO 5211 DIMENSIONS

Type	D1	D2	D	D4	H1	H2
F03	46	25	36*	M5	3	8
F04	54	30	42	M5	3	8
F05	65	35	50	M6	3	9
F07	90	55	70	M8	3	12

\*For DN 1/8 and 1/4, D=35 mm

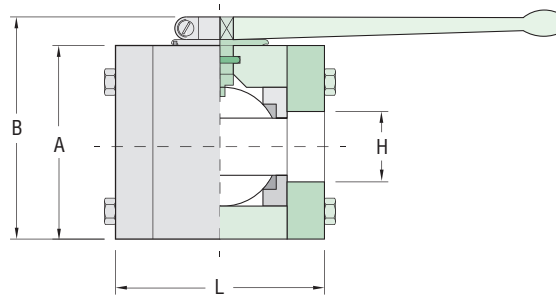
### TORQUE MOMENT

DN	Test at 0 hours		Test after 48 hours	
	N/M at 100 BAR	N/M at 420 BAR	N/M at 100 BAR	N/M at 420 BAR
DN6	7.5	9	15	16
DN10	8	10	15	18
DN13	10	14	18	25
DN20	14	25	25	45
DN25	22	39	40	72
DN32	25	50	45	90
DN40	35	90	65	160
DN50	60	138	110	250
DN65	98	190	180	350
DN80	150	330	270	590
DN100	280	430	500	770

### Finales de carrera / Limit switch

- Ambient air temperature:
  - operation: -25°C to +70°C
  - storage: -40°C to +70°C
- Vibration resistance: conforming to IEC 60068-2-6
- Shock resistance: conforming to IEC 60068-2-27
- Electric shock protection:
  - Class II conforming to IEC 61140 and NF C 20-030 for XCKP and XCKT
  - Class I conforming to IEC 61140 and NF C 20-030 for XCKD
- Degree of protection: IP66 and IP67 conforming to IEC 60529; IK4 conforming to EN50102 for XCKP and XCKT, IK06 conforming to EN50102 for XCKD
- Repeat accuracy: 0,1mm on the tripping points, with 1 million operating cycles for head with end plunger
- Material: metal

**VÁLVULA DE BOLA 2 VIAS DE 3 PIEZAS / 2 WAY 3 PIECES FULL BORE BALL VALVE / VÁLVULA DE BOLA 2 VIES DE PEÇES**



**DESMONTABLE 3 PIEZAS S20 / S20 3-PIECES BALL VALVE**

H	Orifice (mm)	A	B	L	PN (bar)
1/8	5	30	49	42	500
1/4	8	30	49	42	500
3/8	10	35	54	44	500
1/2	15	37	57	48	500
3/4	20	45	79	62	400
1	25	55	83	66	350
1 1/4	32	88	101	95	350
1 1/2	40	102	115	108	350
2	50	109	120	115	350
2 1/2	65	130	160	135	200

**VÁLVULA DE ESFERA 2 VIAS DE 3 PIEZAS**

Válvula de bola de paso total Redfluid está diseñado para trabajar con líquidos o gases a alta presión, ya sea o al vacío moderado. Para ser utilizado en numerosas aplicaciones que se fabrican en varios tamaños. Conexiones y aleaciones

**2 WAY 3 PIECES FULL BORE BALL VALVE**

**Redfluid full bore ball valve is designed to work with liquids or gases under either high pressure or moderate vacuum service. To be used in numerous applications they are manufactured in several sizes. Connections and alloys.**

**VÀLVULA D'ESFERA 2 VIES DE 3 PEÇES**

Válvula de bola de pas total Redfluid està dissenyat per treballar amb líquids o gasos a alta pressió, ja sigui o al buit moderat. Per ser utilitzat en nombroses aplicacions que es fabriquen en diverses mides. Connexions i aliatges.

**MATERIAL**

Description	Carbon Steel	Stainless Steel	Special Alloys
Tornillo ajuste/ Set Screw	ISO40178.8	AISI 316L 1.4404	AISI 316L 1.4404
Arandela / Washer	1.0737	1.4404	Special Alloy
Maneta / Handle	1.011	AISI 316L 1.4404	AISI 316L 1.4404
Vástago / Stem	1.0737	AISI 316L 14404	Special Alloy
Junta tórica /Stem O-ring	NBR	FKM	FKM
Cojinete / Stem bearing	POM	DERLIN	DERLIN
Tornillo / Screw	Carbon Steel	AISI 316L 1.4404	AISI 316L 1.4404
Tuerca / Nut	Carbon Steel	AISI 316L 1.4404	AISI 316L 1.4404
Bola / Ball	1.0737	AISI 316L 1.4404	Special Alloy
Asiento / Seat	POM	PTFE	PTFE
Soporte asiento /Seat carrier	Carbon Steel	AISI 316L 14404	Special Alloy
Junta tórica asiento / Seat O-ring	POM	FKM	FKM
Junta tórica cuerpo / Body O-ring	NBR	FKM	FKM
Conexion final / End Connection	1.0570	AISI 316L 1.4404	Special Alloy
Cuerpo / Body	1.0570	AISI 316L 1.4404	Special Alloy

**CARACTERÍSTICAS**

Tres piezas para permitir un desmontaje completo  
 Suave funcionamiento.  
 Fácil limpieza y mantenimiento.  
 Diseño del vástago libre de expulsión.  
 Vástago anti-escape con doble junta tórica.  
 100% probado  
 SW-BW - NPT-BSP - DIN - con brida-Viatulic

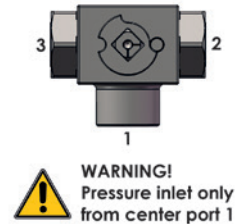
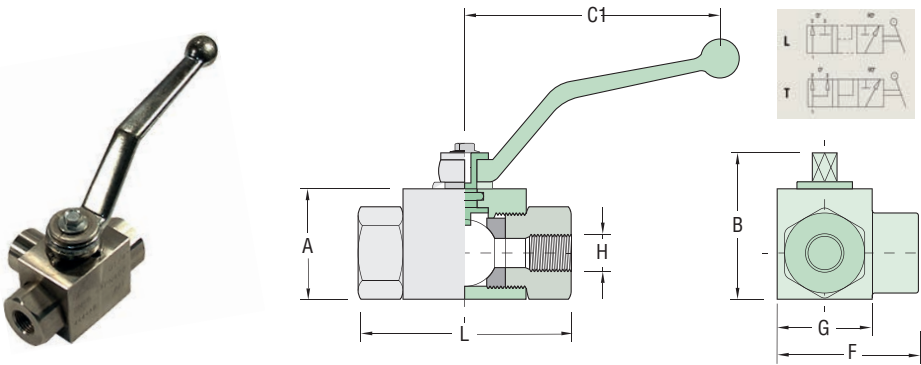
**FEATURES**

**Full Bore**  
**Three pieces to allow a full disassembling**  
**Smooth operating.**  
**Easy cleaning and maintenance.**  
**No- eject stem design.**  
**Anti-leak stem with double O-ring seal.**  
**100% tested**  
**SW- BW - NPT- BSP - DIN - Flanged- Viatulic**

# VÁLVULAS SERIE 20 / VALVES SERIE 20/ VÁLVULES SERIE 20

## VÁLVULAS Y ACCESORIOS / VALVES & ACCESSORIES/ VÁLVULES / ACCESSORIS

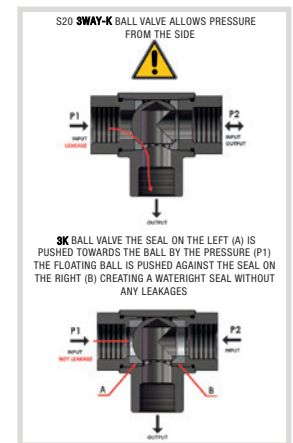
### VALVULAS DE BOLA S20 3 VIAS / 3 WAY BALL VALVES S20



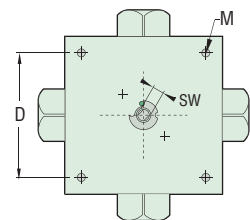
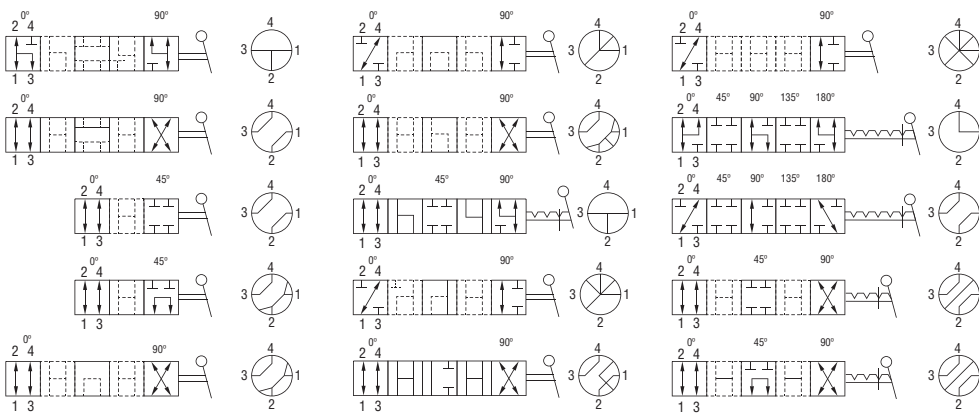
### 3 VIAS / 3 WAY / 3 VIES - NPT / BSP / SW

H	Orifice (mm)	A	B	C1	F	G	L	PN (bar)	ISO 5211	SW
1/8	4	35	49	110	48.5	30	71	400	F03	9
1/4	6	35	49	110	48.5	30	71	400	F03	9
3/8	10	40	54	110	54.5	35	73	400	F03	9
1/2	13	43	57	110	58.5	37	83	350	F03	9
3/4	20	55	73	180	75	45	95	350	F05	14
1	25	65	83	180	89	55	112	350	F05	14

Optional Fixing Holes and DIN 5211 Ready For Actuator  
Under Request UNF Threads or DIN2353 Fittings



### S20 4 WAY BALL VALVE CONFIGURATIONS - NPT / BSP / SW



Type	D	SW	MØ
1/4	55	9	6,5
3/8	60	14	6,5
1/2	80	14	8,5
3/4	85	14	8,5
1	85	14	8,5
11/4 RB	85	14	8,5
11/2 RB	85	14	8,5

### MATERIALS FOR 3 WAY and 4 WAY S20 Valves

Description	Stainless Steel	Carbon steel
Cuerpo / Body	AISI 316L	9 SMn Pb 36
Bola / Ball	AISI 316L	9 SMn Pb 36
Eje / Stem	AISI 316L	9 SMn Pb 36
Conector/ Pipe fitting	AISI 316L	9 SMn Pb 36
Junta bola / Ball seal	Poliacetil (POM)	POM
Junta eje / Stem seal	Caucho nitrilo (NBR)	Caucho nitrilo (NBR)
Junta conect./ Pipe fit seal	Cacho nitrilo (NBR)	Caucho nitrilo (NBR)

### TEMPERATURES MATERIAL

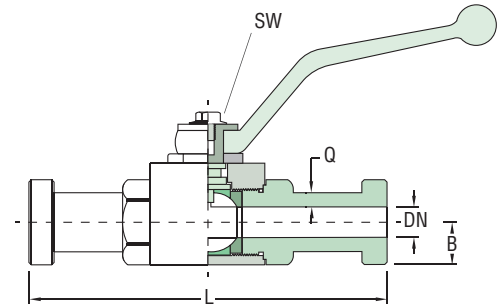
POM	-30° a + 100°
*NBR	-35° a + 100°
PTFE	-200° a + 230°
PEEK	-50° a + 250°
*VITON / FKM	-25° a + 200°
*EPDM	-50° a + 150°
RPTFE	-220° a + 230°
*FFKM	-30° a + 400°
Metal-Metal	-200°C a +400°

# VÁLVULAS SERIE 20 / VALVES SERIE 20/ VÁLVULES SERIE 20

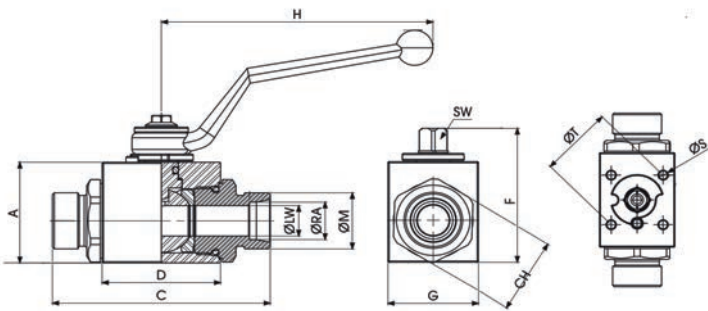
VÁLVULAS Y ACCESORIOS / VALVES & ACCESSORIES/ VÁLVULES I ACCESSORIS

VALVULAS DE BOLA S20 BRIDAS SAE J518 3000PSI o 6000PSI / FLANGED J518 BALL VALVES 3000PSI or 6000PSI CS & SS316

SAE J518 3000psi & 6000psi					
Rosca	B	L	Q	DN	SW
1/2	18	151,5	3,94	13	9
3/4	23,4	162	3,94	20	14
1	29,5	178	3,94	25	14



VALVULAS DE BOLA S20 PARA RÁCORES DIN2353 DE UN ANILLO/ BALL VALVES FOR DIN2353 SINGLE FERRULE FITTINGS



## MATERIAL

Description	Stainless Steel	Carbon steel
Cuerpo / Body	AISI 316L	9 SMn Pb 36
Bola / Ball	AISI 316L	9 SMn Pb 36
Eje / Stem	AISI 316L	9 SMn Pb 36
Conector/ Pipe fitting	AISI 316L	9 SMn Pb 36
Junta bola / Ball seal	Poliacetal (POM)	POM
Junta eje / Stem seal	Caucho nitrilo (NBR)	Caucho nitrilo (NBR)
Junta conect./ Pipe fit seal	Cacho nitrilo (NBR)	Caucho nitrilo (NBR)

## DIN 2353 HEAVY SERIES

Type	DN	A	C	D	F	G	H	M	PN (bar)	ISO 5211	Eje SW
8S	4	35	76	42.4	49	30	110	M16X1.5	500	F03	9
10S	6	35	76	42.4	49	30	110	M18X1.5	500	F03	9
12S	10	40	76	44.4	54.25	35	110	M20X1.5	500	F03	9
14S	10	40	83	44.4	54.25	35	110	M22X1.5	500	F03	9
16S	13	43	89	48.4	57	37	110	M24X1.5	500	F03	9
20S	13	43	93	48.4	57	37	110	M30X2	500	F03	9
25S	20	57	111	62.5	73.5	49	180	M36X2	400	F05	14
30S	25	65	121	66.5	83.5	55	180	M42X2	350	F05	14
38S	25	65	131	66.5	83.5	55	180	M52X2	350	F05	14

## DIN 2353 LIGHT SERIES

Type	DN	A	C	D	F	G	H	M	PN (bar)	ISO 5211	Eje SW
6L	6	35	76	42.4	49	30	110	M12X1.5	500	F03	9
8L	6	35	76	42.4	49	30	110	M14X1.5	500	F03	9
10L	6	35	76	42.4	49	30	110	M16X1.5	500	F03	9
10L	10	40	77	44.4	54.25	35	110	M16X1.5	500	F03	9
12L	10	40	80	44.4	54.25	35	110	M18X1.5	500	F03	9
15L	13	43	87	48.4	57	37	110	M22X1.5	500	F03	9
18L	13	43	87	48.4	57	37	110	M26X1.5	500	F03	9
22L	20	57	110	62.5	73.5	49	180	M30X2	400	F05	14
28L	25	65	117	66.5	83.5	55	180	M36X2	350	F05	14
35L	25	65	119	66.5	83.5	55	180	M45X2	350	F05	14
42L	25	65	119	66.5	83.5	55	180	M52X2	350	F05	14

# VÁLVULAS DE BOLA SERIE 10/20 / BALL VALVES SERIE 10/20 / VÀLVULES DE BOLA SERIE 10/20

## VÁLVULAS Y ACCESORIOS / VALVES & ACCESSORIES/ VÀLVULES I ACCESSORIS

### VÁLVULAS DE BOLA S20 ALTA PRESIÓN VÁLVULAS DE BOLA S10 BAJA PRESIÓN

Válvulas de bola de alta presión en diferentes conexiones BSP, NPT, SW, BW, Bridas SAE J1926 y DIN 2353. Diferentes materiales. PN hasta 500 bar y temperaturas hasta 230°C según juntas. Fire Safe BS6755, Antistatic device, Pruebas según API6D y API598.



### HIGH PRESSURE BALL VALVES S20 LOW PRESSURE BALL VALVES S10

**High pressure ball valves up to 500 bar and 230°C according different seats. Different connections BSP. NPT, SW, BW Flanged SAE J1926 and DIN 2353. Fire Safe BS6755, Antistatic device. Tests as per API 6D and API 598.**

### VÀLVULES DE BOLA D'ALTA PRESSIÓ S20 VÀLVULES DE BOLA BAIXA PRESSIÓ S10

Vàlvules de bola d'alta pressió fins a 500 bar i 230°C segons juntes. Diferents connexions BSP, NPT, SW, BW, Brides SAE J1926 i DIN 2353. Fire Safe B6755, Antistatic device. Proves segons API 6D i API 598.

#### Standard Features:

Full Bore  
Round Body  
O-Rings: NBR FKM, EPDM, MVQ  
Fire Safe BS 6755 - ISO 10497  
Fire Safe ANSI/API 607 - API6FA  
Antistatic Device  
-60°C to +250°C depending on seal  
PN500 bar depending on seal  
Tests API 6D API 598  
3.1 Certificate

#### On request:

Reduced Bore  
Special O-Rings  
Special Seats  
Metal to Metal up to 400°C  
Special Threads  
Special Materials  
Locking Device  
ISO 5211 Holes  
Actuators  
Limit switch

#### Pressure -Temperature - DN - RATING FOR S20 SERIES

#### Flow Coefficient

DN	POM -30°C +100°C	PEEK -50°C +250°C	Pa612 -45°C +145°C	PTFE -220°C +230°C	RPTFE -220°C +230°C	Flow Coefficient m <sup>3</sup> /h
6 - 1/4"		PN 500 Bar			PN 350 Bar	4.27
10 - 3/8"		PN 500 Bar			PN 350 Bar	6
13 - 1/2"		PN 500 Bar			PN 350 Bar	30.2
20 - 3/4"		PN 400 Bar			PN 175 Bar	53.7
25 - 1"		PN 350 Bar			PN 150 Bar	90.66
32-11/4"		PN 350 Bar			PN 100 Bar	176.5
40 -11/2"		PN 350 Bar			PN 100 Bar	245.2
50 - 2"		PN 350 Bar			PN 100 Bar	364.52
65-21/2"		PN 150 Bar			PN 100 Bar	645.4
80 - 3"		PN 100 Bar			PN 100 Bar	889.5
100 - 4"		PN 50 Bar			PN 50 Bar	NR

*Esta tabla no aplica a Válvulas de Bola Serie 10 (S10). Consultar la sección correspondiente.*

*This table does not apply to Ball Valves 10 Series (S10). See S10 section*

#### How to order

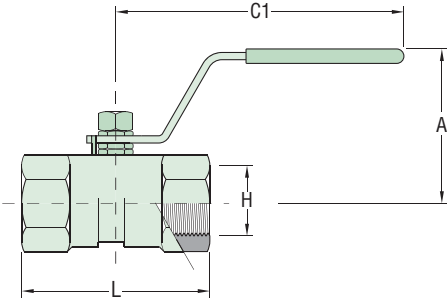
S20	G 1/2				DN13	316L	316L	POM	Extras					
Type and way of valve	GAS	NPT	SW	SW	PE	SAE	DIN 2353	DIN 2353	Nominal dimension	Body and adapter material	Stem and ball material	Ball seat material	Adapter and stem seal material	Options
S20	228 BSP	B1.20.1		EXTRALONG	Nipple L=100mm	J1926-1	HEAVY SERIES	LIGHT SERIES						
S20sq	G 1/4	N 1/4	SW 1/4	SWXT 1/4	PE 1/4	SAE4	8S	6L	DN6			POM		Fixing Holes
S10	G 3/8	N 3/8	SW 3/8	SWXT 3/8	PE 3/8	SAE6	10S	8L	DN10	316L 1,4404	316L 1,4404	PEEK	NBR	ISO 5211 Holes
	G 1/2	N 1/2	SW 1/2	SWXT 1/2	PE 1/2	SAE8	12S	10L	DN13	A105 1,0570	316L 1,4404	PA612	FKM	DA Pneumatic Actuator
	G 3/4	N 3/4	SW 3/4	SWXT 3/4	PE 3/4	SAE12	14S	12L	DN20			RPTFE	EPDM	SR Pneumatic Actuator
	G 1	N 1	SW 1	SWXT 1	PE 1	SAE16	16S	15L	DN25	1,0737	1,0737	PTFE	MVQ	Electric Actuator
	G 1 1/4	N 1 1/4	SW 1 1/4	SWXT 1 1/4	PE 1 1/4	SAE20R	20S	18L	DN32	Duplex	Duplex			Limit Switch
	G 1 1/2	N 1 1/2	SW 1 1/2	SWXT 1 1/2	PE 1 1/2	SAE24R	25S	22L	DN40	Super Duplex	Super Duplex			Padlock
	G 2	N 2	SW 2	SWXT 2	PE 2		30S	28L	DN50	904 L	904 L			
	G 2 1/2	N 2 1/2	SW 2 1/2				38S	35L	DN65	Alloy 20	Alloy 20			
	G 3	N 3	SW 3					42L	DN80	Brass	Brass			
	G 4	N 4	SW 4						DN100					



# VÁLVULA SERIE 10 / VALVES S10 / VÁLVULES SERIE 10

## VÁLVULAS Y ACCESORIOS / VALVES & ACCESSORIES/ VÁLVULES / ACCESSORIS

### SERIES 10R- PN63 MONOBLOQUE PASO REDUCIDO NPT Y BSP / REDUCED BORE NPT & BSP PN63



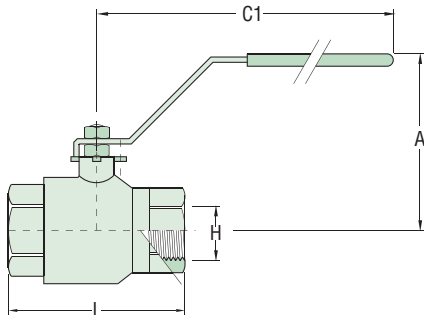
Válvula esfera paso reducido 1 pieza  
 Const: AISI 316 Pulido. Asientos  
 PTFE+FV Extremos:  
 Rosca Gas o NPT  
 PN-63 temp.-25°C +180°C.  
 Mando manual por palanca.

**1pc reduced bore ball valve**  
**Constr: polished AISI 316 SEATS**  
**PTFE+GF.**  
**Gas threaded or NPT**  
**PN63 bar -25°C to +180°C**  
**Manually operated by handle.**

Nº	Denominación / name	Material	Acabado superficial surface Treatment
1	Cuerpo / Body	Acero Inox AISI 316/SS316	Granallado/ Shot blasting
2	Tapa / Cap	Acero Inox AISI 316/SS316	Granallado/ Shot blasting
3	Junta / Gasket	Teflón (PTFE)	-
4	Bola /Ball	Acero Inox AISI 316/SS316	-
5	Asiento / Ball seat	Teflón (PTFE)	-
6	Eje / Stem	Acero Inox AISI 316/SS316	-
7	Anillo fricción/ friction ring	Teflón (PTFE)	-
8	Anillo prensa / Stem packing	Teflón (PTFE)	-
9	Anillo prensa / Stem ring	Acero Inox AISI 304/SS304	-
10	Arandela / Washer	Acero Inox AISI 304/SS304	-
11	Tuerca /Nut	Acero Inox AISI 304/SS304	-
12	Maneta / Handle	Acero Inox AISI 304/SS304	-
13	Funda / Handle sleeve	PVC	-

MEDIDAS / MESURES / MESURES					
H	A	L	C1	Kv	PN (bar)
1/4	32	39	60	3,5	63
3/8	36	44	80	4	63
1/2	42	56	87	5	63
3/4	45	59	87	13	63
1	50	69	105	28	63
1 1/4	54	77	105	40	63
1 1/2	70	81	125	78	63
2	78	97	140	109	63

### SERIES 10 PN 63- PASO TOTAL NPT Y BSP / FULL BORE PN64 NPT & BSP



Válvula esfera paso total 2 piezas.  
 Rosca BSP, también disponible con  
 rosca NPT .  
 Const. acero inox CF8M (316)  
 Juntas y asiento: PTFE+15%FV  
 Tórica eje vitón  
 PN 63 Temp:-25°C + 180°C. Mando  
 Manual por palanca con sistema de  
 bloqueo.

**2pc full bore ball valve**  
**BSP thread, also available NPT.**  
**Const. stainless steel. CF8M (316)**  
**Seats and seals: PTFE + 15% GF**  
**O'ring stem: viton**  
**PN 63 temp. -25 °C +180 °C**  
**Manually operated by handle with**  
**locking system.**

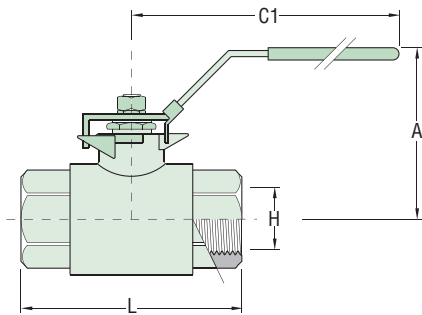
Denominación / name	Material	Acabado superficial surface Treatment
Cuerpo / Body	Acero Inox AISI 316/SS316	Granallado/ Shot blasting
Tapa / Cap	Acero Inox AISI 316/SS316	Granallado/ Shot blasting
Bola /Ball	Acero Inox AISI 316/SS316	-
Eje / Stem	Acero Inox AISI 316/SS316	-
Asiento / Ball seat	Teflón+15%FV/PTFE+15%GF	-
Junta / Gasket	Teflón (PTFE)	-
Arandela / Thrust Washer	Teflón (PTFE)	-
Tórica / O'ring	Viton	-
Anillo prensa / Stem ring	Acero Inox AISI 304/SS304	-
Arandela / Washer	Acero Inox AISI 304/SS304	-
Tuerca /Nut	Acero Inox AISI 304/SS304	-
Maneta / Handle	Acero Inox AISI 304/SS304	-
Funda / Handle sleeve	PVC	-

MEDIDAS / MESURES / MESURES					
H	A	L	C1	Kv	PN (bar)
1/4	50	50	104	6	63
3/8	50	50	104	10	63
1/2	51,5	55	104	24	63
3/4	62	70	122	43	63
1	65	83	122	83	63
1 1/4	82	91	180	130	63
1 1/2	88	103	180	205	63
2	106	120	219	340	63
2 1/2	119	152	230	520	63
3	135	172	275	1100	63

# VÁLVULA SERIE 10 / VALVES S10 / VÁLVULES SERIE 10

## VÁLVULAS Y ACCESORIOS / VALVES & ACCESSORIES/ VÁLVULES / ACCESSORIS

### SERIES 10 PN140 PASO ESTANDARD BSP (GAS) / STANDARD BORE BSP PN140



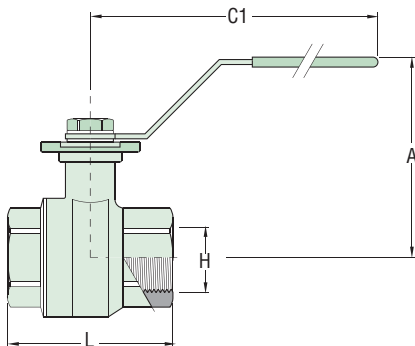
Válvula esfera paso estandard 2 piezas.  
 Const: acero inox. CF8M (316)  
 Microfusión. Juntas y asientos: PTFE+FV  
 Extremos: rosca gas DIN 2999. PN 140.  
 Temp.: -25 °C +180 °C. Mando manual por planca con sistema de bloqueo.

**2 pcs standard bore ball valve.**  
**Const: Stainless steel CF8M (316).**  
**Investment casting. Seats and seals: PTFE+GF ends: Gas threaded ends DIN 2999.**  
**PN140. Temp -25°C +180°C.**  
**Manually operated by handle with locking system.**

Denominación / name	Material	Acabado superficial Surface Treatment
Cuerpo / Body	Acero Inox AISI 316 / SS 316	Granallado/ Shot blasting
Tapa / Cap	Acero Inox AISI 316 / SS 316	Granallado/ Shot blasting
Bola / Ball	Acero Inox AISI 316 / SS 316	-
Eje / Stem	Acero Inox AISI 316 / SS 316	-
Asiento / Ball seat	Teflón+15%FV/PTFE+15%GF	-
Junta / Gasket	Teflón (PTFE)	-
Arandela / Trust Washer	Teflón+15%FV/PTFE+15%GF	-
Anillo fricción / Friction ring	Teflón+15%FV/PTFE+15%GF	-
Tuerca prensa / Stem packing	Acero Inox AISI 304 / SS 304	-
Arandela / Washer	Acero Inox AISI 304 / SS 304	-
Tuerca / Nut	Acero Inox AISI 304 / SS 304	-
Maneta / Handle	Acero Inox AISI 304 / SS 304	-
Funda / Handle sleeve	PVC	-

MEDIDAS / MESURES / MESURES					
H	A	L	C1	Kv	PN (bar)
1/4	42	54	105	10	140
3/8	42	54	105	10	140
1/2	46	61,5	105	18	140
3/4	53	72	147	38	140
1	58	84,5	147	75	140
1 1/4	68	92	193	83	140
1 1/2	72	103	193	130	140
2	78	118	193	205	140

### SERIES 10 PARA ACTUADOR PASO TOTAL PN 63 BSP / ACTUATOR READY BALL VALVE PN63



Válvula esfera paso total 2 piezas.  
 Const: AISI (316) Microfusión. Juntas y asientos: PTFE+FV  
 Rosca gas DIN 2999 tórica eje: vitón PN-63.  
 Temp.: -25 °C +180 °C. Mando manual por planca.  
 Montaje directo S/ISO 5211 con sistema de bloqueo.

**2pcs full bore ball valve**  
**Const. aisi 316 seats and seals PTFE+GF Gas threaded ends DIN 2999. O'ring stem: viton PN-63.**  
**Temp. -25°C+180°C.**  
**Manually operated by handle. Direct assembling ISO 5211 with locking system.**

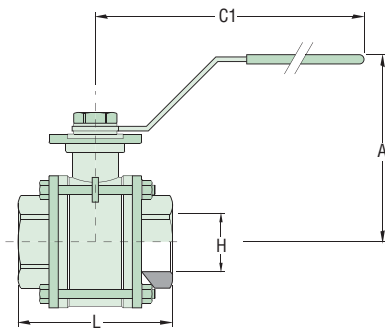
Denominación / name	Material	Acabado superficial Surface Treatment
Cuerpo / Body	Acero Inox AISI 316/SS 316	Granallado/ Shot blasting
Tapa / Cap	Acero Inox AISI 316/SS 316	Granallado/ Shot blasting
Bola / Ball	Acero Inox AISI 316/SS 316	-
Eje / Stem	Acero Inox AISI 316/SS 316	-
Asiento / Ball seat	Teflón+15%FV/PTFE+15%GF	-
Junta / Gasket	Teflón (PTFE)	-
Arandela / Trust Washer	Teflón+ Grafito/PTFE+graphite	-
Tórica / O'ring	Viton	-
Anillo prensa / Stem packing	PTFE	-
Anillo prensa / Stem ring	Acero Inox AISI 304 /SS 304	-
Arandaela Belleville/ Bellville washer	Acero Inox AISI 301/SS 301	-
Tuerca / Nut	Acero Inox AISI 304/SS 304	-
Arandela / Washer	Acero Inox AISI 304/SS 304	-
Tope / Stopper	Acero Inox AISI 304/SS 304	-
Maneta / Handle	Acero Inox AISI 304/SS 304	-
Funda / Handle Sleeve	Vynil	-
Antigiro / Lock Washer	Acero Inox AISI 304/SS 304	-

MEDIDAS / MESURES / MESURES					
H	A	L	C1	Kv	PN (bar)
1/4	62	50	112	6	63
3/8	62	50	112	10	63
1/2	63	55	112	24	63
3/4	70	70	138	43	63
1	70	73	160	83	63
1 1/4	88	91	160	130	63
1 1/2	94	103	205	205	63
2	100	120	205	340	63

# VÁLVULA SERIE 10 / VALVE SERIE 10 / VÁLVULES SERIE 10

## VÁLVULAS Y ACCESORIOS / VALVES & ACCESSORIES/ VÁLVULES / ACCESSORIS

### SERIES 10 3 PIEZAS DESMONTABLE BSP/NPT/SW/BW PN64 SS316 ISO5211 / 3 - PIECE BALL VALVE PN64 BSP/NPT/SW/BW/ ISO 5211



Válvula esfera paso total 2 piezas.  
Rosca BSP, también disponible con rosca NPT ,SW Y BW.  
Const. acero inox CF8M (316)  
Microfundición.  
Juntas y asiento: PTFE+15%FV tórica eje vitón  
PN 63 Temp:-25°C + 180°C. Mando manual por planca con sistema de bloqueo  
Preparada p/actuador ISO5211

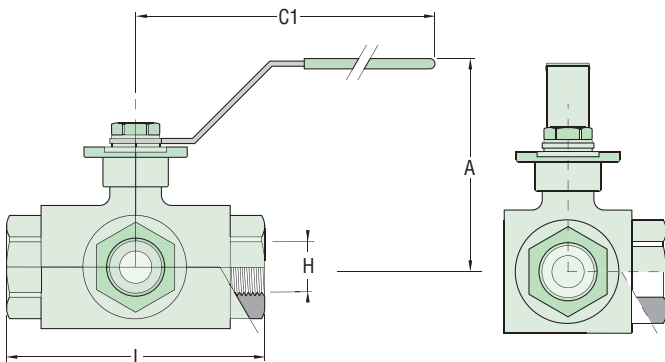
**2pc full bore ball valve.**  
**BSP thread, also available with NPT thread, SW and BW.**  
**Const. stainless steel. CF8M (316) investment casting. Seats and seals: PTFE + 15% GF o'ring stem: viton PN 63 temp. -25 °C +180 °C**  
**Manually operated by handle with locking system.**  
**Direct assembling iso5211**

#### MEDIDAS / MESURES / MESURES

Denominación / name	Material	Acabado superficial Surface Treatment
Cuerpo / Body	Acero Inox AISI 316 / SS 316	Granallado/ Shot blasting
Tapa / Cap	Acero Inox AISI 316 / SS 316	Granallado/ Shot blasting
Bola /Ball	Acero Inox AISI 316 / SS 316	-
Eje /Stem	Acero Inox AISI 316 / SS 316	-
Asiento / Ball seat	Teflón+15%FV/PTFE+15%GF	-
Junta / Gasket	Teflón (PTFE)	-
Arandela / Trust Washer	Teflón+ Grafito/PTFE+graphite	-
Tórica / O'ring	Viton	-
Anillo prensa / Stem packing	PTFE	-
Anillo prensa / Stem ring	Acero Inox AISI 304 / SS 304	-
Arandaela Belleville/ Belleville washer	Acero Inox AISI 301 / SS 301	-
Tuerca / Nut	Acero Inox AISI 304 / SS 304	-
Arandela / Washer	Acero Inox AISI 304 / SS 304	-
Tope / Stopper	Acero Inox AISI 304 / SS 304	-
Tornillo / Bolt	Acero Inox AISI 304 / SS 304	-
Tuerca / Nut	Acero Inox AISI 304 / SS 304	-

H	Orifice (mm)	A	C1	L	Kv	PN (bar)
1/4	11	60	112	47,6	6	63
3/8	12,7	60	112	47,6	10	63
1/2	15	60	112	56	23	63
3/4	20	70	138	73	43	63
1	25	70	138	82	83	63
1 1/4	32	88	160	91	130	63
1 1/2	40	94	205	104	205	63
2	50	100	205	120	340	63
2 1/2	65	150	330	155	520	63
3	80	165	330	182	1100	63
4	100	175	340	220	1820	63

### SERIES 10 3 VÍAS PASO REDUCIDO PN 63 BSP / 3 WAY VALVE REDUCED BORE PN63 BSP&NPT



Válvula esfera 3 vías paso reducido.  
Paso Tipo L  
Paso tipo T  
Const: AISI 316- Cuatros asientos PTFE+FV juntas cuerpo y eje: PTFE tórica eje: Vitón.  
Extremos: rosca BSP o NPT PN 63.Temp. -25°C +180 °C.  
Montaje directo S/ISO 5211.  
Mando manual por palanca con sistema de bloqueo.

**3Ways ball valve reduced bore**  
**L bore**  
**T bore.**  
**Const: AISI 316; Four seats PTFE+GF body and stem seats: PTFE o'ring stem: Viton.**  
**BSP or NPT Threads PN 63. Temp -25 °C +180°C**  
**Assembling S/ISO 5211.**  
**Manually operated by handle with locking system.**

#### MEDIDAS / MESURES / MESURES

Denominación / name	Material	Acabado superficial Surface Treatment
Cuerpo / Body	Acero Inox AISI 316/SS 316	Granallado/ Shot blasting+Pickling
Tapa / Cap	Acero Inox AISI 316/SS 316	Granallado/ Shot blasting+Pickling
Bola /Ball	Acero Inox AISI 316/SS 316	-
Asiento / Ball seat	Teflón+15%FV/PTFE+15%GF	-
Eje / Stem	Acero Inox AISI 316 / SS 316	-
Dispositivo anti-estático/ Anti-static device	Acero Inox AISI 316 / SS316	-
Anillo Fricción / Trust Washer	PTFE	-
Tórica / O'ring	FKM (Viton)	-
Anillo Prensa / Stem packing	PTFE	-
Guarnición / Bushing	Inox + PTFE / SS +PTFE	-
Anillo Prensa / Stem ring	Acero Inox AISI 316 / SS 316	-
Arandela Resorte / Spring Washer	Acero Inox AISI 304/SS 301	-
Tuerca / Nut	ASTM A 194-8	-

H	Orifice (mm)	A	C1	L	Kv	PN (bar)
1/4	9,5	66	130	75	11	63
3/8	11	66	130	75	11	63
1/2	12	66	130	75	13	63
3/4	15	72	161	85	15	63
1	20	77	161	100	31	63
1 1/4	25	92	203	122	39	63
1 1/2	32	96	203	131	62	63
2	40	107	203	158	103	63
2 1/2	49	135	254	178		63

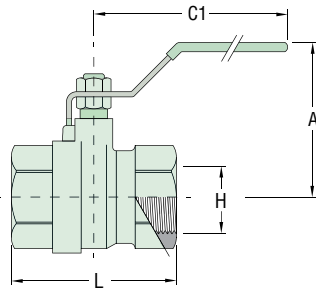
# VÁLVULA SERIE 10 / VALVE SERIE 10/ VÁLVULES SERIE 10

## VÁLVULAS Y ACCESORIOS / VALVES & ACCESSORIES/ VÁLVULES / ACCESSORIS

Antigiro / Stopper	Acero Inox AISI 304/SS 304	-
Arandela / Washer	Acero Inox AISI 304/SS 304	-
Tuerca Maneta / Handle Nut	Acero Inox AISI 304/SS 304	-
Funda / Handle sleeve	Vynil	-
Maneta / Handle	Acero Inox AISI 304/SS 304	-
Bloqueo maneta / Lock device	Acero Inox AISI 304/SS 304	-
Junta /Gasket	Teflón / PTFE	-
Tornillo tope / Stop Bolt	Acero Inox AISI 304 /SS 304	-
Tuerca / Nut	ASTM A 194-8	-

Tipo	Paso	1	2	3	4
L	1				
	2				
T	1				
	2				

### SERIES 10 LATÓN PN 25 NPT BSP / BRASS BALL VALVE S10



Válvula de esfera  
También disponible con rosca NPT.  
PN 25. Paso total construcción en latón UNE-EN 12165 Cromado.  
Asiento PTFE.  
Temp. Máx. 180 °C. Mando Manual por palanca de acero.

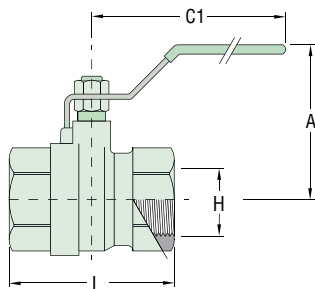
**Ball valve**  
**Also available NPT thread.**  
**PN 25. Full bore. Body chrome plated brass UNE-EN 12165. PTFE seats. Max. temp. 180 °C. Steel lever manual control.**

Denominación / name	Material	Acabado superficial Surface Treatment
Cuerpo / Body	Latón / Brass (CW617N)	Granallado+Cromado / Peened+Chromed
Tapa / Cap	Latón / Brass (CW617N)	Granallado+Cromado / Peened+Chromed
Bola /Ball	Latón / Brass (CW617N)	Cromado / Chromed
Eje /Stem	Latón / Brass (CW617N)	Cromado / Chromed
Asiento / Ball seats	PTFE	-
Anillo prensa / Stem packing	PTFE	-
Tórica / O-Ring	NBR	-
Anillo prensa / Stem ring	Latón / Brass	Cromado / Chromed
Tuerca / Nut	Latón / Brass	Cromado / Chromed
Maneta / Handle	AISI 304	-

#### MEDIDAS / MESURES / MESURES

H	Orifice (mm)	A	L	C1	Kv	PN (bar)
1/4	10	46	40	84	3.5	25
3/8	10	46	43	84	5	25
1/2	15	47	49	84	15	25
3/4	20	58	56	98	26	25
1	25	61	68	98	42	25
1 1/4	32	74	80	126	58	25
1 1/2	40	80	89	126	82	25
2	50	91	104	158	150	25
2 1/2	59	101	137	158	230	25
3	72	131	158	196	315	25
4	90	145	183	265	400	25

### SERIES 10 LATÓN PN 40 NPT BSP PASO TOTAL / BRASS BALL VALVE PN40 NPT/BSP FULL BORE



Válvula de esfera serie pesada  
También disponible con rosca NPT  
PN 40. Paso total. Construcción en latón UNE-EN 12165 cromado.  
Asientos PTFE.  
Temp. máx. 180°C.  
Mando manual por palanca de acero

**S10 PN40 Full Bore Ball Valve**  
**Also available NPT thread PN 40.**  
**Full bore. Body chrome plated brass UNE-EN12165.**  
**PTFE seats. Gas threaded ends (BSP) F-F ISO 228/1.**  
**Max. Temp. 180°C. Steel lever manual control.**

Denominación / name	Material	Acabado superficial Surface Treatment
Cuerpo / Body	Latón / Brass (CW617N)	Granallado+Cromado / Peened+Chromed
Tapa / Cap	Latón / Brass (CW617N)	Granallado+Cromado / Peened+Chromed
Bola /Ball	Latón / Brass (CW617N)	Cromado / Chromed
Eje /Stem	Latón / Brass (CW617N)	Cromado / Chromed
Asiento / Ball seats	PTFE	-
Anillo prensa / Stem packing	PTFE	-
Tórica / O-Ring	NBR	-
Anillo prensa / Stem ring	Latón / Brass	Cromado / Chromed
Tuerca / Nut	Latón / Brass	Cromado / Chromed
Maneta / Handle	AISI 304	-

#### MEDIDAS / MESURES / MESURES

H	Orifice (mm)	A	L	C1	Kv	PN (bar)
1/4	10	45	48	84	3.5	40
3/8	10	45	50	84	5.5	40
1/2	15	47	58	84	16	40
3/4	20	58	65	98	30	40
1	25	61	78	98	45	40
1 1/4	32	74	88	126	70	40
1 1/2	40	80	105	126	115	40
2	50	91	122	158	210	40